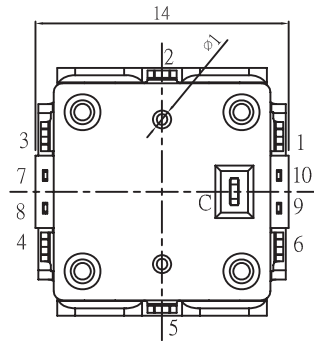
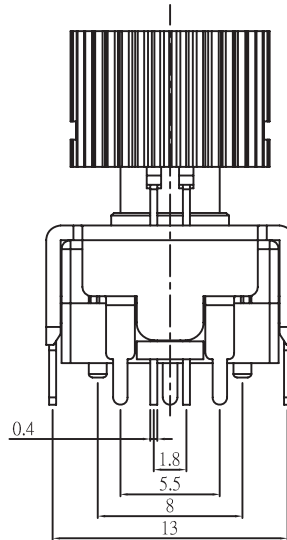
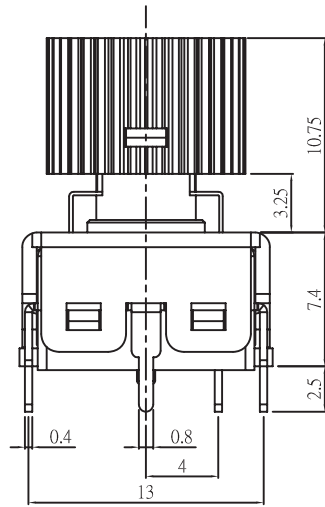
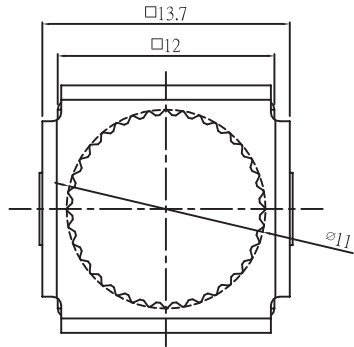


Prototype: we keep the right to change without notice.

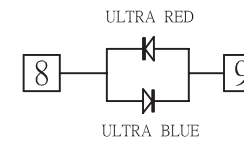
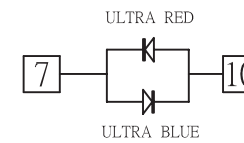
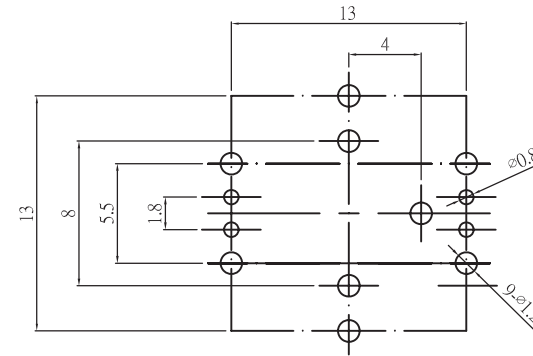
DIMENSION	TOLERANCE
BELOW 10 mm	± 0.3
10~100 mm	± 0.5
ABOVE 100 mm	± 0.8
ANGLE	± 3'



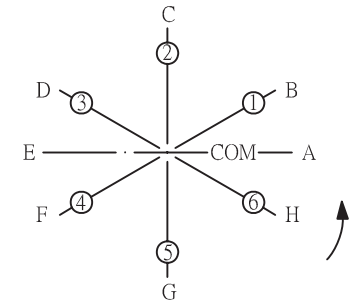
SPECIFICATION :

1. RATING : 30 VDC ; 1A .
2. CONTACT RESISTANCE : 50mΩ MAX .
3. INSULATION RESISTANCE : 100 MΩ MIN .
4. DIELECTRIC WITHSTAND VOLTAGE : 500 VAC FOR 1 MINUTE .
5. OPERATING FORCE : 300± 100 gf .
6. LIFE CYCLE : 100,000 CYCLE .
7. OPERATING TEMPERATURE : -16°~60°

P.C.B. LAYOUT



CIRCUIT DIAGRAM



MOLD	POSITION
A	OFF
B	COM - 1
C	COM - 2
D	COM - 3
E	OFF
F	COM - 4
G	COM - 5
H	COM - 6

COLOR OF LED

G	Green	Y	Yellow
R	Red	B	Blue
O	Orange	W	White
X	Without		

△					DATA	2011/11/03	UNIT	mm	MODE	PUSH SWITCH
△					APPROVAL	KAVEN	SCALE	1 : 1	PART	
△					CONFIRM	ALAN	VIEW		2D FILE NAME	
	DATA	APPROVAL	DESIGN	ENGINEERING CHANGE DESCRIPTION	DESIGN	ANDY	VER.	01	3D FILE NAME	

WB Well Buying Industrial Co.,Ltd.